

Toolmakers Microscope

WM2 *digi*



Revisionsstand: 02

The toolmakers microscope is a robust and easy to use device for the measurement of distances and angles.



Technische
Mikroskopie

Technical data:

Measuring stage:

Measuring range: 25 x 25 mm (optional 50 x 50 mm)
Measuring system: digital micrometer
Resolution: 1 µm
Max. height of work-piece: 157 mm

Optics:

Monocular tube: monocular, upright and accurate to side image
Eyepiece: build-in crosshair, dioptric compensation
Objective: 2:1
Integrated angle measurement: division 1° applicable to 12°
Monocular angle: 45°
Total magnification: 40x
Free working distance: 62 mm
Illumination: integrated transmitted light and ring-light illumination (LED), stepless brightness control for both kinds of illumination

General:

Dimensions: see drawing
Weight: 25 kg
Working temperature: 20 ± 5° C
Power Supply: 115/230 VAC, 50/60 Hz

Main features:

- accurate to side and upright image
- integrated angle measurement in eyepiece
- long working distance
- changeable objectives
- ergonomic design
- focus movement through double-sided, smooth-running drive
- max. workpiece height up to 210 mm
- rotating support plate for workpiece
- customized version with larger measuring range, coaxial incident illumination, digital read-out or image processing available on request

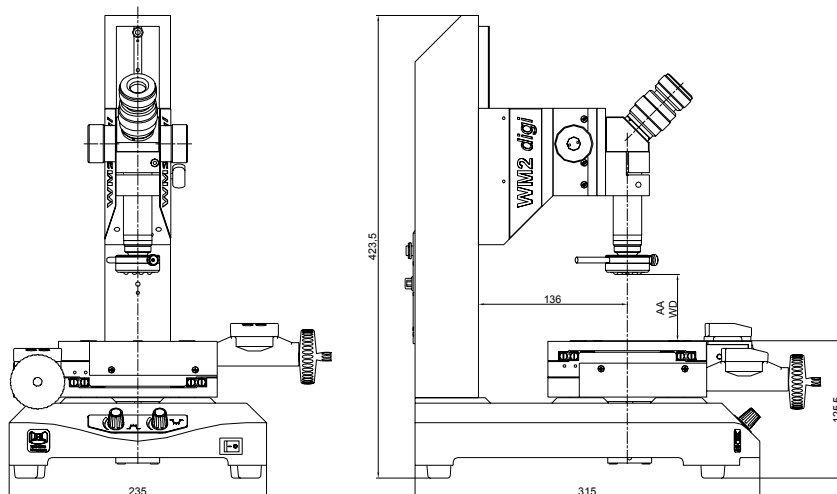
Fields of application:

- Measuring laboratories and workshops
- Quality management
- small parts vendors (automotive industry and mechanical engineering)
- measurement of isolated and unisolated wires
- plastic and casting parts

Achromatic Objectives

Order No.:	Magnification	Working Distance W.D. (mm)	Object Diameter (mm)	Maximum Object Height (mm)
OP1-A01	20x	118	8,5	101
OP1-A02*	40x	62	4,4	157
OP1-A03	60x	28	2,9	191
OP1-A04	80x	9	2,2	210
OP1-A05	100x	9	1,8	210
OP1-A06	120x	9	1,5	210

* included in the extent of supply



Walter Uhl
techn. Mikroskopie
GmbH & Co.KG
Loherstraße 7
D-35614 Aßlar

Tel. (0 64 41) 8 86 03
Fax (0 64 41) 8 57 18

